



ROUTINE JACK MAINTENANCE BULLETIN

RJM 100

1 OF 2

TO PROVIDE COMPLETE INFORMATION ON SERVICING ColumbusJACK/Regent QUALITY GROUND HANDLING EQUIPMENT

PROCEDURE FOR FILLING AND BLEEDING JACK TESTERS WITH HYDRAULIC LOAD CELLS

Due to the limited fluid movement during the load cell piston stroke, any amount of air in the hydraulic line between the load cell and the pressure gauge will cause an incorrect reading on the pressure/load gauge. The hydraulic line must be bled any time the line is opened. Use MIL-PRF-83282 or equal.

1. Remove pressure cap (Item 1) and connect Air Bleed Kit 1491 or equivalent (hand pump with 0-50 psi gauge) to tee.
2. Install hydraulic jack between tester base and load cell piston.
3. Open release valve on hydraulic jack and close release valve on Air Bleed Kit hand pump. Operate hand pump until load cell piston (Item 2) contacts retaining ring (Item 3) and gauge on Air Bleed Kit indicates 25 psi.

**WARNING: DO NOT APPLY PRESSURE GREATER THAN 25 PSI TO
LOAD CELL PISTON AFTER CONTACT IS MADE WITH
RETAINING RING.**

4. Open release valve on hand pump and close release valve on hydraulic jack. Operate hydraulic jack, forcing load cell piston into cylinder to remove air and hydraulic fluid from load cell assembly.
5. Repeat steps 3 and 4 three (3) times.
6. Close release valve on hand pump and open release valve on hydraulic jack. Operate hand pump until load cell piston contacts retaining ring and gauge on Air Bleed Kit indicates 25 psi.
7. Remove hydraulic jack from jack tester.
8. Remove Air Bleed kit and replace pressure cap on tee.

Tester is now ready for service.

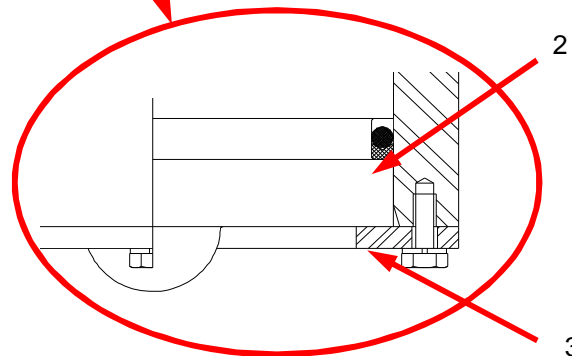
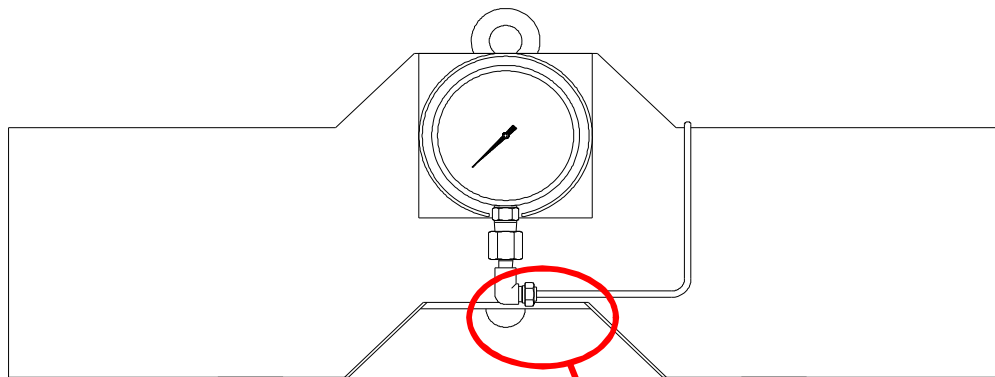
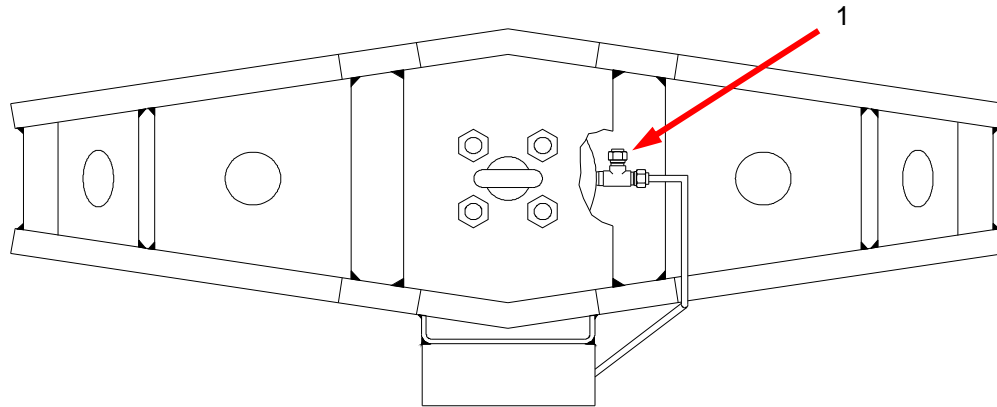


ROUTINE JACK MAINTENANCE BULLETIN

RJM 100

2 OF 2

TO PROVIDE COMPLETE INFORMATION ON SERVICING
ColumbusJACK/Regent QUALITY GROUND HANDLING EQUIPMENT



Actual Configuration May Vary
With Hydraulic Load Cell Model