

ISO 9001:2008

Columbus JACK/Regent

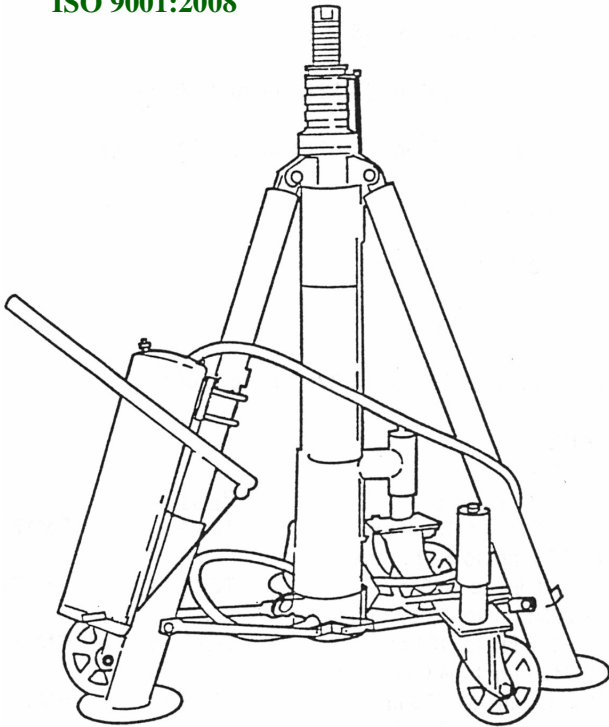
"The Strength of Experience"

PRODUCT DATA SHEET VARIABLE HEIGHT TRIPOD JACK

Model 59J6185, 20 Ton Capacity

NSN: 1730-00-865-7838

CAGE CODE: 00994



VARIABLE HEIGHT TRIPOD JACK SPECIFICATIONS

| VERTICAL CAPACITY (Lbs/kg) | HYDRAULIC LIFT (Inches/mm) | SCREW EXTENSION (Inches/mm) | MINIMUM HEIGHT (Inches/mm) | MAXIMUM HEIGHT (Inches/mm) | TRIPOD RADIUS (Inches/mm) | JACK NET WEIGHT (Est.) (Lbs/kg) | JACK OVERALL DIMENSIONS Dia. x Height (Inches/mm) | CRATED WEIGHT (Est.) (Lbs/kg) | CRATE DIMENSIONS (Est.) L x W x H (Inches/mm) |
|-------------------------------|-------------------------------|--------------------------------|-------------------------------|-------------------------------|------------------------------|---------------------------------------|---|---------------------------------------|--|
| 40,000 | 40.0 | 15.0 | 53.0 | 108.0 | 32.4 | 837 | 69 x 53 | 1,037 | 71 x 71 x 55 |
| 18,144 | 1,016 | 381 | 1,346 | 2,743 | 823 | 380 | 1,753 x 1,346 | 470 | 1,803 x 1,803 x 1,397 |

| LEG EXTENSION KITS | MINIMUM HEIGHT (Inches/mm) | MAXIMUM HEIGHT (Inches/mm) | TRIPOD RADIUS (Inches/mm) |
|--------------------|-------------------------------|-------------------------------|------------------------------|
| --- | --- | --- | --- |
| KIT 1 | 71.0 | 126.0 | 37.8 |
| | 1,803 | 3,200 | 960 |
| KIT 2 | 89.0 | 144.0 | 43.2 |
| | 2,261 | 3,658 | 1,097 |
| KIT 3 | 107.0 | 162.0 | 48.6 |
| | 2,718 | 4,115 | 1,234 |
| KIT 4 | 125.0 | 180.0 | 54.0 |
| | 3,175 | 4,572 | 1,372 |
| KIT 5 | 143.0 | 198.0 | 59.4 |
| | 3,632 | 5,029 | 1,509 |

Rev 08/09